

# DE'LONGHI COOKERS

## COOKING RANGE

---

**DeLonghi**

# De'Longhi Story

In the ancient Italian city of Treviso, near Venice, skilled De' Longhi designers and craftsmen have produced quality Italian products for generations.

Established by Giuseppe De' Longhi, the company has become world renowned for innovative, finely crafted products made from carefully selected European materials.

Distinctive Italian styling and well-designed features are evident throughout the De' Longhi product range.

De'Longhi takes pride in inspiring people to rediscover the pleasures of their kitchen.

The latest range of De' Longhi major cooking appliances demand attention, with elegant lines, quality and practicality.



# Made in Italy

We are proud to declare that we have been making quality cooking appliances for over 60 years and have been selling our ever evolving range of ovens, cooking hobs and cookers in the UK since the mid 80's. We are dedicated to producing quality cooking appliances. De'Longhi is a well known and trusted brand. we are proud to provide you only with best in class products.

We manufacture major cooking appliances solely and exclusively in Italy, relying on the best quality components and professional experience gained over many decades and always with passion for product innovation

According to our philosophy, "Made in Italy" means not only assembly in our country. It is also the selection of components, both functional and aesthetical, supplied from certified partner companies: you have the reassurance that we follow the high quality standards required by international certification bodies.



# De'Longhi Range Cookers

*British Design meets Italian style*



# DUAL FUEL Range Cookers



## Delonghi D3VR 908-DF

### *Vintage Style Three Cavity Dual Fuel Range Cooker in Cream*



#### **COOKTOP FEATURES**

90 cm Stainless steel hob top

Five gas burners including one central triple burner 4 k/W

Cast iron pan supports and cast iron wok stand.

Brushed stainless steel towel rail and matching control knobs

Vintage 12 cm Stainless steel splashback

#### **TOP GRILL COMPARTMENT – Drop down door**

Electric Thermostatic Grill

Telescopic sliding shelf with grill pan and trivet

Interior light

Removable inner glass door for cleaning

Grill capacity 37 litres

#### **MULTIFUNCTION MAIN OVEN – Side opening door**

Eight function thermostatic electric oven

Electric grill

Full electronic cooking programmer (start/end of cooking), interior light

Cooling fan system

Double glass door with removable inner glass for cleaning

Oven capacity 59 litres

Energy rating A

**ACCESSORIES:** Tray, Shaped Shelf, Flat Shelf

#### **FULL HEIGHT FAN OVEN - Side opening door**

Fan oven

Ten position side racks

Interior light

Oven capacity 73 litres

Energy rating B

**ACCESSORIES:** Three Shelves, one dish warmer rack in chrome, LPG conversion kit

**DIMENSION (mm) 900 (W) X 900 (H) X 600 (D)**



## Delonghi D3VR 908-DF/BL

### *Vintage Style Three Cavity Dual Fuel Range Cooker in Gloss Black*



#### **COOKTOP FEATURES**

90 cm wide Stainless steel hob top

Five gas burners including one central triple burner 4 k/W

Cast iron pan supports plus cast iron wok stand

Brushed stainless steel towel rail & matching control knobs

Vintage 12 cm stainless steel splashback

#### **TOP GRILL COMPARTMENT – Drop down door**

Electric Thermostatic Grill

Telescopic sliding shelf with grill pan and trivet

Interior light

Removable inner door glass for cleaning

Grill capacity 37 litres

#### **MULTIFUNCTION MAIN OVEN – Side opening door**

Eight functions thermostatic electric oven

Electric grill

Full electronic cooking programmer (start/end of cooking), interior light

Cooling fan system

Double glass door with removable inner glass for cleaning

Oven capacity 59 litres

Energy rating A

**ACCESSORIES:** Tray, Shaped Shelf, Flat Shelf

#### **FULL HEIGHT FAN OVEN - Side opening door**

Fan oven

Ten position side racks

Interior light

Oven capacity 73 litres

Energy rating B

**ACCESSORIES:** 3 Flat Shelves, one dish warmer rack in chrome, LPG conversion kit

**DIMENSION (mm) 900 (W) X 900 (H) X 600 (D)**



## Delonghi DVTR 906-DF/WH

### *Vintage Style Twin Cavity Dual Fuel Range Cooker in Gloss White*



#### **COOKTOP FEATURES**

90 cm wide Stainless steel hob top  
Five gas burners including a central 4 k/W Triple ring burner  
Cast iron pan supports and cast iron wok stand.  
Brushed stainless steel towel rail & matching control knobs  
Vintage 120 mm stainless steel splashback

#### **MAIN OVEN**

Electric Multifunction oven (eight functions)  
Full LED electronic programmer  
Telescopic sliding shelf with grill pan and trivet  
Interior light  
Removable inner glass door for cleaning  
Oven capacity 70 litres  
Energy rating A

#### **ACCESSORIES**

Roasting tray, Shaped Shelf, Flat Shelf, Fat filter, Grill Pan

#### **SUPPORTING OVEN**

Five function thermostatic electric oven  
Electric grill and Interior light  
Cooling fan system  
Removable inner glass door for cleaning  
Oven capacity 45 litres  
Energy rating B

#### **ACCESSORIES**

Roasting tray, flat shelf, rotisserie, Plate warmer rack in chrome  
LPG conversion kit included  
Storage compartment with drop down door

**DIMENSIONS (mm) 900 (W) X 900 Adjustable (H) X 600 (D)**



## DeLonghi DDC 606-DF

*60 cm Freestanding Dual Fuel Double Cooker in Stainless Steel*



### COOKTOP FEATURES

- 60 cm Stainless steel hob top
- Four gas burners including one triple ring burner 3.5 k/W
- Cast iron pan supports and wok stand
- Automatic ignition

### TOP CONVENTIONAL OVEN & ELECTRIC GRILL (drop down door)

- Conventional oven
- Electric grill controlled by thermostat
- Double glass door with removable inner glass for cleaning
- Interior light
- Cooling fan system
- Easy clean enamel cavity
- Grill pan and wire shelf
- Oven capacity 39 litres
- Energy rating A

### MAIN FAN OVEN (side opening door)

- Fan cooking
- Electric grill controlled by thermostat
- Full LED electronic programmer
- Double glass door with removable glass for cleaning
- Interior light
- Cooling fan system
- Easy clean enamel cavity
- Oven capacity: 59 litres
- Energy rating A
- ACCESSORIES: Telescopic shelf guides, chrome shelf, roasting tray,
- LPG conversion kit included

**DIMENSIONS (mm) 600 (W) X 900 (H X 600 (D)**

## DeLonghi DTR 906-DF

*Professional Line Twin Cavity Dual Fuel Range Cooker in Stainless Steel*



### COOKTOP FEATURES

- 90 cm Stainless steel professional square hob top
- Five gas burners including one central triple burner 3.5 k/W
- Three heavy duty cast iron pan supports
- Cast iron wok stand
- Stainless steel splash back

### MAIN OVEN

- Multifunction with electric grill (8 functions)
- Full electronic cooking programmer
- Oven capacity 70 litres
- Energy rating B
- Removable inner door glass for cleaning

### SUPPORTING OVEN

- Conventional cooking plus electric grill (3 functions)
- Oven capacity 45 litres
- Energy rating B
- Removable inner door glass door for cleaning

### ACCESSORIES

- Two Grill pans and trivets, two wire handles, 2 flat shelves
- Includes LPG conversion kit

Storage compartment with drop down door

**DIMENSIONS(mm) 900 (W) X 890/920 Adjustable (H) X 600 (D)**



## De'Longhi DTR 906-DF/AN

*Professional Line Twin Cavity Dual Fuel Range Cooker in anthracite black*



### COOKTOP FEATURES

- 90 cm Stainless steel professional square hob top
- Five gas burners including a 3.5 k/W triple ring burner
- Three heavy duty cast iron pan supports
- Cast iron wok stand
- Stainless steel splash back

### MAIN OVEN

- Multifunction with electric grill (8 functions)
- Full electronic programmer
- Energy rating B
- Oven 70 litres
- Removable inner door glass for cleaning

### SUPPORTING OVEN

- Conventional plus electric grill (3 functions)
- Energy rating B
- Oven capacity 45 litres
- Removable inner door glass for cleaning

### ACCESSORIES

- Two grill pans and trivets, two wire handles, two flat shelf
- Includes LPG conversion kit

Storage compartment with drop down door



**DIMENSIONS(mm) 900 (W) X 890/920 (H) Adjustable X 600 (D)**

## DeLonghi DTR 906-DF/CR

*Professional Line Twin Cavity Dual Fuel Range Cooker in cream*



### COOKTOP FEATURES

- 90 cm Stainless steel professional square hob top
- Five gas burners including a 3.5 k/W triple ring burner
- Three heavy duty cast iron pan supports
- Cast iron wok stand
- Stainless steel splash back

### MAIN OVEN

- Multifunction with electric grill (8 functions)
- Full electronic programmer
- Energy rating B
- Oven 70 litres
- Removable inner door glass for cleaning

### SUPPORTING OVEN

- Conventional plus electric grill (3 functions)
- Energy rating B
- Oven capacity 45 litres
- Removable inner door glass for cleaning

### ACCESSORIES

- Two grill pans and trivets, two wire handles, two flat shelf
- Includes LPG conversion kit

Storage compartment with drop down door



**DIMENSIONS(mm) 900 (W) X 890/920 (H) Adjustable X 600 (D)**

## De'Longhi DTR 901-DF

### *Twin Cavity Dual Fuel Range Cooker in Stainless Steel*



#### **COOKTOP FEATURES**

90 cm Stainless steel hob top

Five gas burners including one central triple ring burner 3.5 k/W

Three cast iron pan supports

#### **MAIN OVEN**

Fan Electric oven and grill

Energy rating B

Oven capacity 70 litres

Timer: 120 minute minder and bell

Accessories: Grill pan and trivet, two wire handles, 1 flat shelf

#### **SUPPORTING OVEN**

Conventional Electric oven and grill

Ovne capaicty 45 litres

Energy rating B

Accessories: Grill pan and trivet, 1 flat shelf -  
LPG conversion kit

Storage compartment with drop down door

**DIMENSIONS (mm) 900 (W) X 890/920 H (Adjustable) X 600 (D)**



## DeLonghi DVRS 906-DF/LB

*Single Cavity Vintage Style Dual Fuel Range Cooker in light blue*



### COOKTOP FEATURES

90 cm Stainless steel professional square hob top  
Five gas burners including one central triple burner 4 k/W  
Cast iron pan supports and cast iron wok stand  
10 cm stainless steel splashback

### MAXI OVEN

Electric Multifunction oven (eight functions)  
Electric Thermostatic Grill  
Start/end cooking electronic programmer  
Interior lights  
Cooling fan system  
Usable volume: 87 litres  
Energy Rating A  
Removable inner door glass for cleaning

### ACCESSORIES

Roasting tray, Shaped Shelf, Flat Shelf, Fat filter, Grill Pan, Cast iron wok stand, aluminium feet

Storage Compartment with drop down door

**DIMENSION (mm) 900 (W) X 900 (H) X 600 (D)**



## DeLonghi DVRS 906-DF/BL

*Single Cavity Vintage Style Dual Fuel Range Cooker in black*



### COOKTOP FEATURES

- 90 cm Stainless steel professional square hob top
- Five gas burners including one central triple burner 4 k/W
- Cast iron pan-supports and cast iron wok stand
- 10 cm stainless steel splashback

### MAXI OVEN

- Electric Multifunction oven (eight functions)
- Electric Thermostatic Grill
- Start/ending cooking electronic programmer
- Interior lights
- Cooling fan system
- Oven capacity 87 litres
- Energy rating A
- Removable inner door glass for cleaning

### ACCESSORIES

- Roasting tray, Shaped Shelf, Flat Shelf, Fat filter, Grill Pan, LPG Kit included, aluminium feet

Storage compartment with drop down door

**DIMENSION (mm) 900 (W) X 900 (H) X 600 (D)**



## Delonghi DSR 906-DF

### *Single Cavity Professional Line Dual Fuel Range Cooker in Stainless Steel*



#### **COOKTOP FEATURES**

90 cm Stainless steel professional square hob top  
Five gas burners including one central triple ring burner 3.5 k/W  
Heavy duty cast iron pan supports and cast iron wok support  
100 mm stainless steel splashback

#### **MAXI OVEN - Drop down door**

Eight function electric multifunction oven  
Oven capacity 87 litres  
Energy rating A  
Two interior lights  
Full electronic cooking programmer  
Oven cavity with easy clean enamel  
Removable inner glass door for cleaning

#### **ACCESSORIES**

Roasting/grill tray, grill trivet and two wire handles, one full width wire shelf  
LPG conversion kit included

Storage compartment with drop down door

**DIMENSION (mm) 900 (W) X 890/920 Adjustable (H) X 600 (D)**





## De'Longhi DSR 901-DF

### *Single Cavity Dual Fuel Range Cooker in Stainless Steel*



#### **COOKTOP FEATURES**

90 cm Stainless steel hob top

Five gas burners including one central triple ring burner 3.5 k/W

Cast iron pan supports and cast iron wok stand

Auto ignition and flame safety devices fitted on all burners

#### **MAXI OVEN - Drop down door**

Electric fan oven (4 functions) with electric grill

Oven cavity capacity 114 litres

Energy rating C

Two interior lights

Timer: 120 minute minder with bell

Oven cavity with easy clean enamel

#### **ACCESSORIES**

Roasting/grill tray, grill trivet and two wire handles, one full width wire shelf

LPG conversion kit included

Storage compartment with drop down door

**DIMENSION (mm) 900 (W) X 890/920 Adjustable (H) X 600 (D)**





# GAS Range Cooker



## Delonghi DSR 906-G



*Single Cavity Professional Line Gas Range Cooker in Stainless Steel*



### COOKTOP FEATURES

- 90 cm wide stainless steel hob top
- Five gas burners including one 3.5 k/W central triple ring burner
- Heavy duty cast iron pan supports
- Cast iron wok support
- Auto ignition and flame safety devices fitted on all burners
- 100 mm stainless steel splashback

### MAXI OVEN

- Gas oven and a gas grill
- Oven capacity 106 litres
- Energy rating B
- Two interior lights
- 120 minute minder timer
- Oven cavity with easy clean enamel
- Removable inner glass door for cleaning

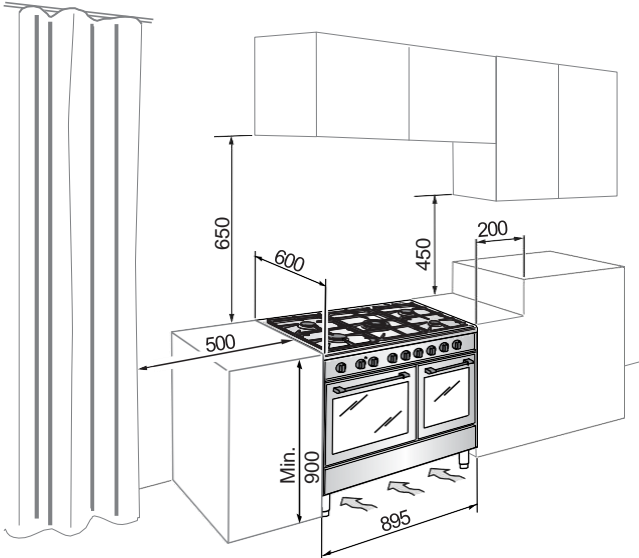
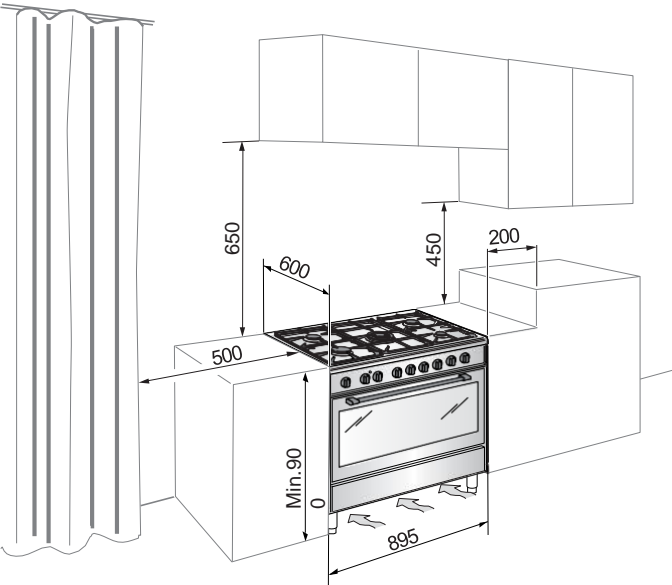
### ACCESSORIES

- Roasting/grill tray, grill trivet and two wire handles, one full width wire shelf
- LPG conversion kit included
- Storage compartment with drop down door

**DIMENSION (mm) 900 (W) X 890/920 Adjustable (H) X 600 (D)**



# Freestanding cookers Installation Diagram



For any enquiries please call us on:

0843 362 2013

Or email to: [cookingsupport@delonghi-cookers.co.uk](mailto:cookingsupport@delonghi-cookers.co.uk)

Or message us on Facebook  
«DELONGHI COOKERS UK»

UK Office Address:  
1 The Chestnuts  
Mill Farm Courtyard  
Beachampton  
Milton Keynes  
MK19 6DS

