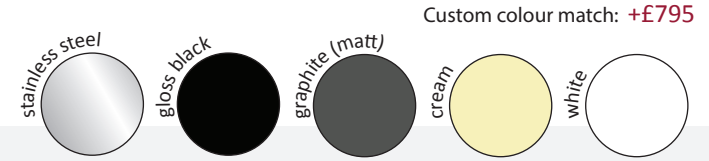


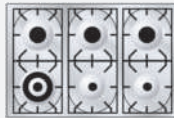


Roma 100 XG

1000mm Range Cooker



6 Burner



2 Gas Burners • Flame safety devices • Electronic ignition • Individual cast-iron pan supports • Solid Brass Burners • LPG Convertible • Gas Burner Accessories Available

PTW006E3

£3795

Fry Top



4 Gas Burners with Fry Top Griddle • Flame safety devices • Electronic ignition • Individual cast-iron pan supports • Solid Brass Burners • LPG Convertible • Gas Burner Accessories Available

PTW100FE3

£3995

6 Zone Induction



2 Induction Zones • Power boost • Easy-clean glass surface • OverFlow Detection • Keep Warm Function • Automatic Boil and Reduce Function

PTW100E3

£4995

Key Features

A Rated for Energy efficiency • Triple glazed doors • Stay clean oven liners • Fascia cooling • Metal controls • Programmable timer • 53.4 Litre Multifunction oven • 43.7 Litre Conventional oven • 20.2 Litre Extra Grill • Storage drawer • Child Safety Lock • E3 Precision digital temperature control

Installation

1000mm Wide • 860-910mm High • 600mm Deep • Max Load W : PTDW1006E3 = 7800, PTDW100FE3 = 7800, PDWI100E3 = 19260 • LPG convertible • Levelling feet

Grill Functions

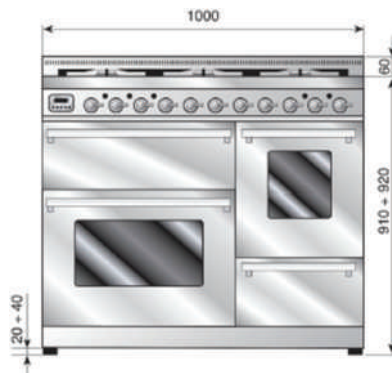
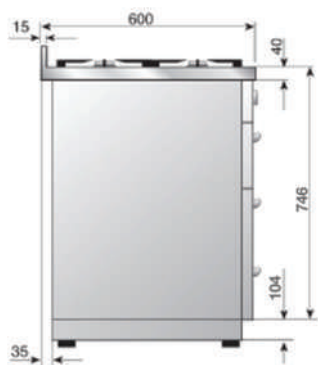
Electric grill • Grill Pan fitted with telescopic runners

Left Oven Functions

Pizza and Bread Setting • Conventional Oven • Lower Element (Slow Cooker) • Upper Element (Browning) • Standard Grill • Fan Grill • Roasting Oven (Fan Assisted) • Baking Oven (True Fan Oven) • ECO Cooking • Quick Start

Right Oven Functions

Conventional Oven • Lower Element (Slow Cooker) • Upper Element (Browning) • Standard Grill • Rotisserie



Standard Accessories

2 Wire shelves in left and right ovens • 3 x Grill pan, trivet & handle • Rotisserie

